



MONOPARETE INOX 304

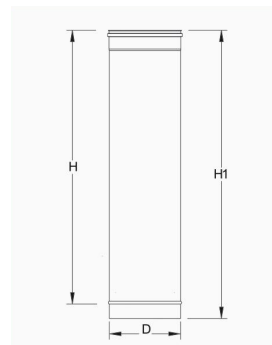


# MONOTEC 304

Il sistema MONOTEC 304 è costituito da elementi a sezione circolare in parete singola realizzati in acciaio inox 304, con uno spessore minimo di 4/10 e finitura BA. Gli elementi sono dotati di innesto Maschio/Femmina a bicchiere, con guarnizione di tenuta a triplo labbro fornita separatamente e nervatura per la fascetta di bloccaggio, disponibile su richiesta. Le temperature massime di esercizio sono: 200°C con guarnizione e 600°C senza guarnizione.

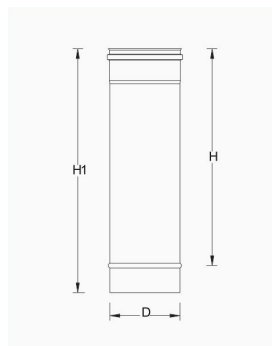
PSED-01304 ELEMENTO DRITTO MM. 945

COD	DIAM	CONF	H	H1
PSED-01304080	80	20	945	995
PSED-01304100	100	12	945	995
PSED-01304110	110		945	995
PSED-01304120	120	9	945	995
PSED-01304130	130	6	945	995
PSED-01304140	140	5	945	995
PSED-01304150	150	5	945	995
PSED-01304160	160	12	945	995
PSED-01304180	180	10	945	995
PSED-01304200	200	17	945	995
PSED-01304220	220	14	945	995
PSED-01304250	250	9	945	995
PSED-01304300	300	6	945	995
PSED-01304350	350		945	995
PSED-01304400	400		945	995
PSED-01304450	450		945	995
PSED-01304500	500		945	995



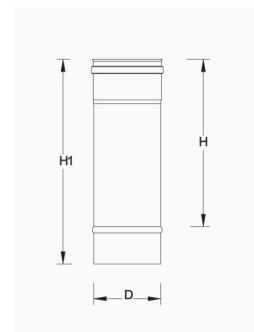
PSED-02304 ELEMENTO DRITTO MM.440

COD	DIAM	CONF	H	H1
PSED-02304080	80	12	445	495
PSED-02304100	100	9	445	495
PSED-02304110	110		445	495
PSED-02304120	120	5	445	495
PSED-02304130	130		445	495
PSED-02304140	140	4	445	495
PSED-02304150	150	4	445	495
PSED-02304160	160	4	445	495
PSED-02304180	180	4	445	495
PSED-02304200	200	4	445	495
PSED-02304220	220		445	495
PSED-02304250	250	2	445	495
PSED-02304300	300		445	495
PSED-02304350	350		445	495
PSED-02304400	400		445	495
PSED-02304450	450		445	495
PSED-02304500	500		445	495



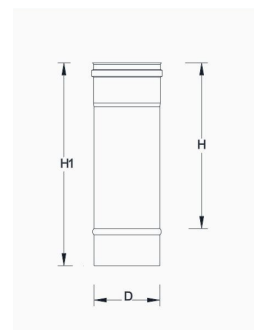
**PSED-03304 ELEMENTO DRITTO MM. 200**

COD	DIAM	CONF	H	H1
PSED-03304080	80	12	200	250
PSED-03304100	100	9	200	250
PSED-03304110	110	5	200	250
PSED-03304120	120	4	200	250
PSED-03304130	130	4	200	250
PSED-03304140	140	4	200	250
PSED-03304150	150	4	200	250
PSED-03304160	160	4	200	250
PSED-03304180	180	4	200	250
PSED-03304200	200	2	200	250
PSRT-08304220	220		200	250
PSED-03304250	250	2	200	250
PSED-03304300	300		200	250
PSED-03304350	350		200	250
PSED-03304400	400		200	250
PSED-03304450	450		200	250
PSED-03304500	500		200	250



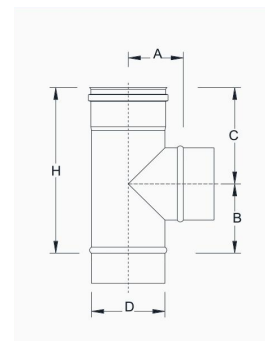
**PSET-04304 ELEMENTO TELESCOPICO 255/360**

COD	DIAM	CONF	H	h	H1	h1
PSET-04304080	80		360	255	410	305
PSET-04304100	100		360	255	410	305
PSET-01304110	110		360	255	410	305
PSET-04304120	120		360	255	410	305
PSET-04304130	130		360	255	410	305
PSET-04304140	140		360	255	410	305
PSET-01304150	150		360	255	410	305
PSET-04304160	160		360	255	410	305
PSET-04304180	180		360	255	410	305
PSET-04304200	200		360	255	410	305
PSET-04304220	220		360	255	410	305
PSET-04304250	250		360	255	410	305
PSET-04304300	300		360	255	410	305
PSET-04304350	350		360	255	410	305
PSET-04304400	400		360	255	410	305
PSET-04304450	450		360	255	410	305
PSET-04304500	500		360	255	410	305



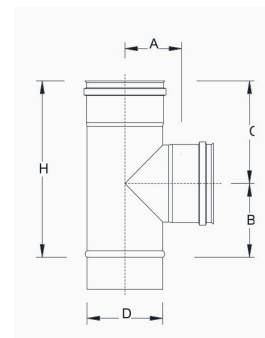
**PSRT-08304 RACCORDO A T 90° MASCHIO**

COD	DIAM	CONF	H	A	B	C
PSRT-08304080	80		200	70	100	150
PSRT-08304100	100		200	80	100	150
PSRT-08304110	110		200	85	100	150
PSRT-08304120	120		200	90	100	150
PSRT-08304130	130		200	95	100	150
PSRT-08304140	140		275	100	115	160
PSRT-08304150	150		275	105	115	160
PSRT-08304160	160		275	110	115	160
PSRT-08304180	180		445	120	200	245
PSRT-08304200	200		445	130	200	245
PSRT-08304220	220		445	140	200	245
PSRT-08304250	250		445	155	200	245
PSRT-08304300	300		445	180	200	245
PSRT-08304350	350		500	205	225	275
PSRT-08304400	400		545	230	250	295
PSRT-08304450	450		585	255	275	310
PSRT-08304500	500		630	280	300	330



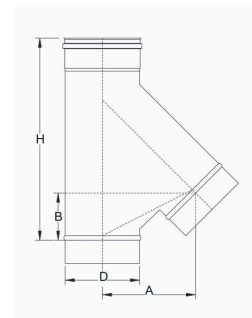
**PSRT-08F304 RACCORDO A T 90° FEMMINA**

COD	DIAM	CONF	H	A	B	C
PSRT-08F304080	80		200	70	100	150
PSRT-08F304100	100		200	80	100	150
PSRT-08F304110	110		200	85	100	150
PSRT-08F304120	120		200	90	100	150
PSRT-08F304130	130		200	95	100	150
PSRT-08F304140	140		275	100	115	160
PSRT-08F304150	150		275	105	115	160
PSRT-08F304160	160		275	110	115	160
PSRT-08F304180	180		445	120	200	245
PSRT-08F304200	200		445	130	200	245
PSRT-08F304220	220		445	140	200	245
PSRT-08F304250	250		445	155	200	245
PSRT-08F304300	300		445	180	200	245
PSRT-08F304350	350		500	205	225	275
PSRT-08F304400	400		545	230	250	295
PSRT-08F304450	450		585	255	275	310
PSRT-08F304500	500		630	280	300	330



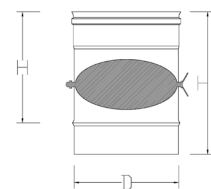
PSRB-82304 RACCORDO A T 135°

COD	DIAM	CONF	H	A	B
PSRB-82304080	80		353	148	81
PSRB-82304100	100		403	169	95
PSRB-82304110	110		403	171	96
PSRB-82304120	120		403	172	100
PSRB-82304130	130		436	190	105
PSRB-82304140	140		436	195	110
PSRB-82304150	150		464	207	112
PSRB-82304160	160		473	213	113
PSRB-82304180	180		507	233	123
PSRB-82304200	200		535	250	130
PSRB-82304220	220		563	267	137
PSRB-82304250	250		606	292	147
PSRB-82304300	300		676	335	165
PSRB-82304350	350		747	378	183
PSRB-82304400	400		818	420	200
PSRB-82304450	450		888	463	218
PSRB-82304500	500		959	506	236



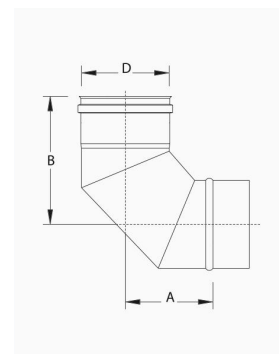
PSEDF-03304 SERRANDA A FARFALLA

COD	DIAM	CONF	H	H1
PSEDF-03304100	100		200	250
PSEDF-03304110	110		200	250
PSEDF-03304120	120		200	250
PSEDF-03304130	130		200	250
PSEDF-03304140	140		271	330
PSEDF-03304150	150		271	330
PSEDF-03304160	160		271	330
PSEDF-03304180	180		271	330
PSEDF-03304200	200		271	330
PSEDF-03304220	220		271	330
PSEDF-03304250	250		271	330
PSEDF-03304300	300		445	500



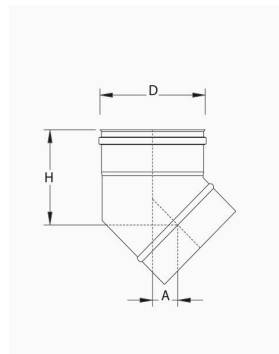
PSCN-90304 CURVA 90°

COD	DIAM	CONF	A	B
PSCN-90304080	80	12	101	150
PSCN-90304100	100	7	112	166
PSCN-90304110	110		118	170
PSCN-90304120	120	4	122	175
PSCN-90304130	130	4	143	195
PSCN-90304140	140	5	153	207
PSCN-90304150	150	4	158	212
PSCN-90304160	160	4	160	213
PSCN-90304180	180	2	173	224
PSCN-90304200	200	2	182	233
PSCN-90304220	220		190	237
PSCN-90304250	250		210	262
PSCN-90304300	300		231	286
PSCN-90304350	350		250	315
PSCN-90304400	400		275	335
PSCN-90304450	450		295	355
PSCN-90304500	500		315	375



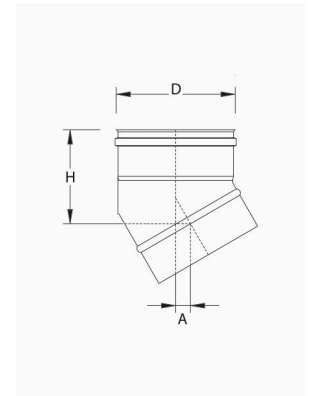
PSCQ-45304 CURVA 45°

COD	DIAM	CONF	H	A
PSCQ-45304080	80	12	120	27
PSCQ-45304100	100	10	124	30
PSCQ-45304110	110		129	32
PSCQ-45304120	120	8	130	33
PSCQ-45304130	130	6	135	34
PSCQ-45304140	140	6	140	37
PSCQ-45304150	150	6	143	38
PSCQ-45304160	160	5	147	40
PSCQ-45304180	180	4	154	43
PSCQ-45304200	200	4	160	45
PSCQ-45304220	220		168	48
PSCQ-45304250	250		179	53
PSCQ-45304300	300		196	60
PSCQ-45304350	350		216	68
PSCQ-45304400	400		238	76
PSCQ-45304450	450		256	84
PSCQ-45304500	500		274	92



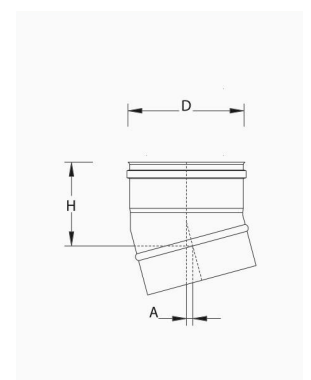
PSCT-30304 CURVA 30°

COD	DIAM	CONF	H	A
PSCT-30304080	80		111	15
PSCT-30304100	100		121	17
PSCT-30304110	110		126	19
PSCT-30304120	120		131	20
PSCT-30304130	130		131	20
PSCT-30304140	140		131	22
PSCT-30304150	150		133	22
PSCT-30304160	160		134	22
PSCT-30304180	180		138	23
PSCT-30304200	200		145	25
PSCT-30304220	220		149	26
PSCT-30304250	250		154	27
PSCT-30304300	300		171	32
PSCT-30304350	350		180	33
PSCT-30304400	400		201	39
PSCT-30304450	450		216	44
PSCT-30304500	500		231	50



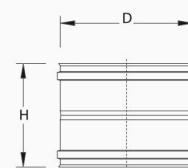
PSCQ-15304 CURVA 15°

COD	DIAM	CONF	H	A
PSCQ-15304080	80		108	8
PSCQ-15304100	100		110	8
PSCQ-15304110	110		111	8
PSCQ-15304120	120		111	8
PSCQ-15304130	130		113	8
PSCQ-15304140	140		114	8
PSCQ-15304150	150		117	9
PSCQ-15304160	160		119	9
PSCQ-15304180	180		121	9
PSCQ-15304200	200		121	9
PSCQ-15304220	220		126	10
PSCQ-15304250	250		131	10
PSCQ-15304300	300		136	11
PSCQ-15304350	350		147	12
PSCQ-15304400	400		157	13
PSCQ-15304450	450		167	14
PSCQ-15304500	500		177	15



**PSRC-09304 RACCORDO CALDAIA F/F**

COD	DIAM	CONF	H
PSRC-09304080	80		142
PSRC-09304100	100		142
PSRC-09304110	110		142
PSRC-09304120	120		142
PSRC-09304130	130		142
PSRC-09304140	140		142
PSRC-09304150	150		142
PSRC-09304160	160		142
PSRC-09304180	180		142
PSRC-09304200	200		142
PSRC-09304220	220		142
PSRC-09304250	250		142
PSRC-09304300	300		142
PSRC-09304350	350		142
PSRC-09304400	400		142
PSRC-09304450	450		142
PSRC-09304500	500		142



**PSFS-11304 RACCORDO M/M**

COD	DIAM	CONF	A	B	C
PSFS-11304080	80		50	50	50
PSFS-11304100	100		50	50	50
PSFS-11304110	110		50	50	50
PSFS-11304120	120		50	50	50
PSFS-11304130	130		50	50	50
PSFS-11304140	140		50	50	50
PSFS-11304150	150		50	50	50
PSFS-11304160	160		50	50	50
PSFS-11304180	180		50	50	50
PSFS-11304200	200		50	50	50
PSFS-11304220	220		50	50	50
PSFS-11304250	250		50	50	50
PSFS-11304300	300		50	50	50
PSFS-11304350	350		50	50	50
PSFS-11304400	400		50	50	50
PSFS-11304450	450		50	50	50
PSFS-11304500	500		50	50	50

